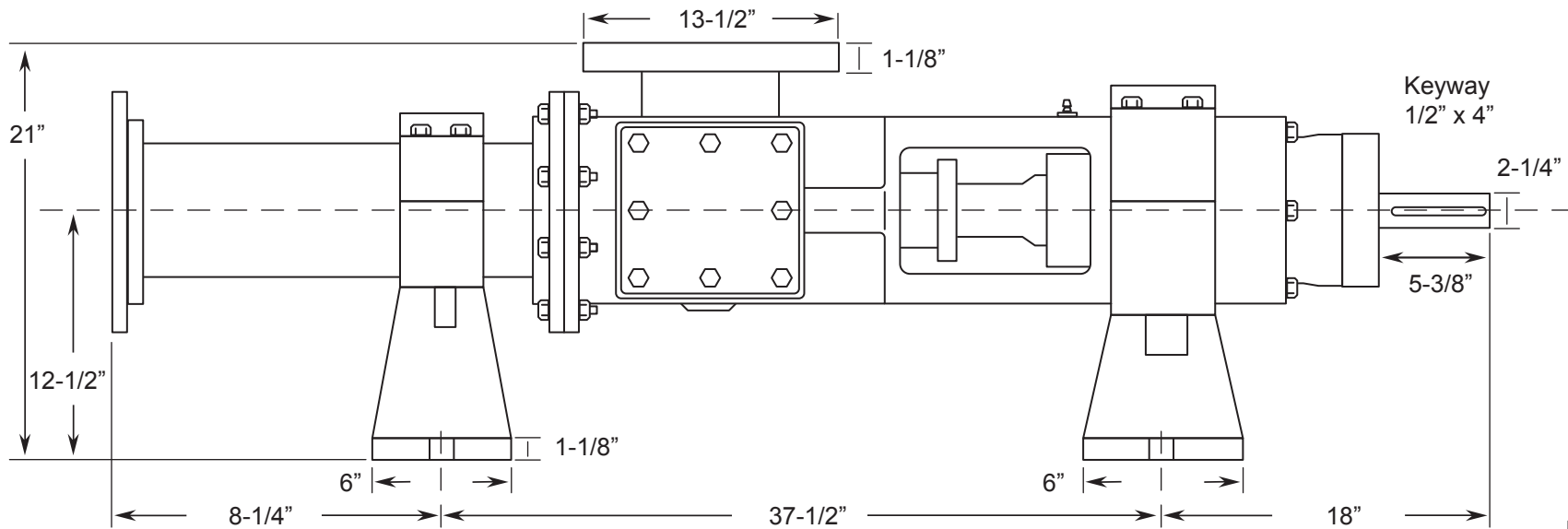
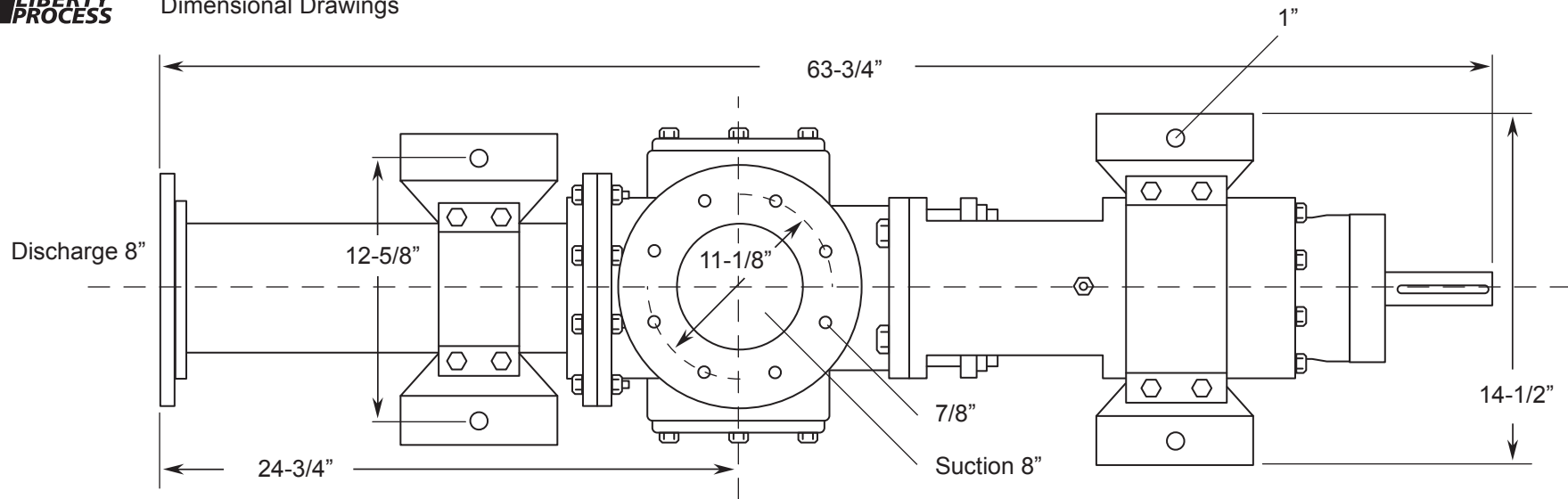




SWGL SERIES - ISWGL12

Progressive Cavity Pump

Dimensional Drawings



Net weight

≈ lbs.

960

ALL DIMN: Inches

1 Stage Pump

P: 847.640.7867 F: 847.640.7855
2525 Clearbrook Drive Arlington Heights, IL 60005

www.libertyprocess.com