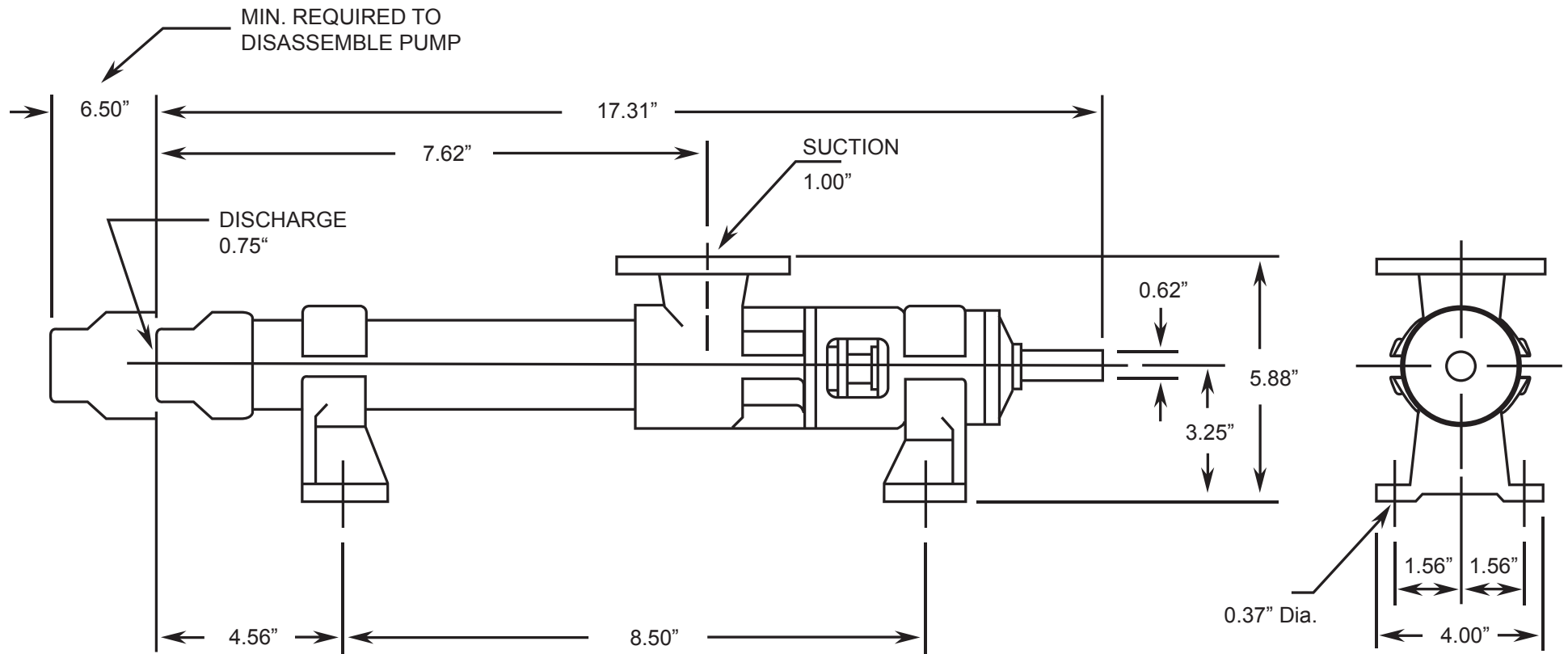




ML SERIES - 2ML1

Progressive Cavity Pump

Dimensional Drawings



Net weight

≈ lbs.

22

ALL DIMN: Inches

2 Stage Pump

P: 847.640.7867 F: 847.640.7855
2525 Clearbrook Drive Arlington Heights, IL 60005

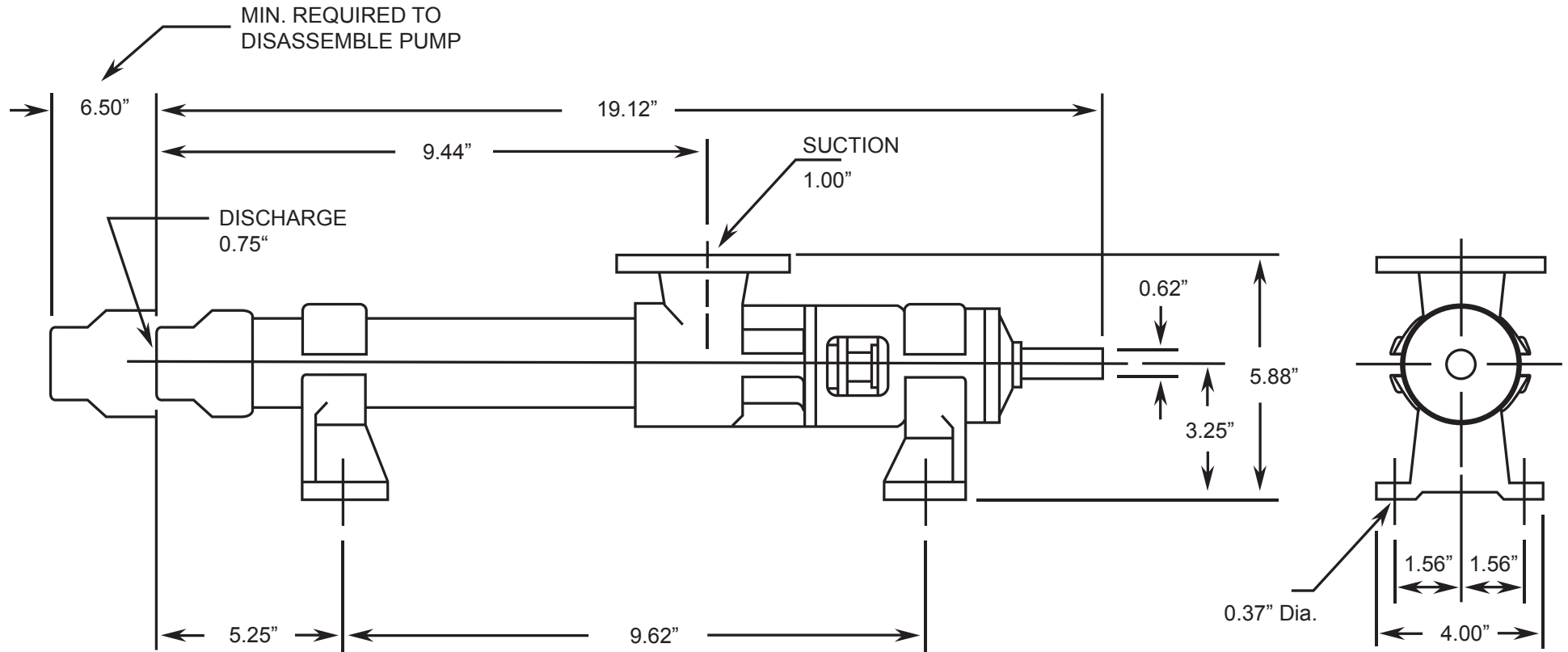
www.libertyprocess.com



ML SERIES - 3ML1

Progressive Cavity Pump

Dimensional Drawings



Net weight

≈ lbs.

24

ALL DIMN: Inches

3 Stage Pump

P: 847.640.7867 F: 847.640.7855
2525 Clearbrook Drive Arlington Heights, IL 60005

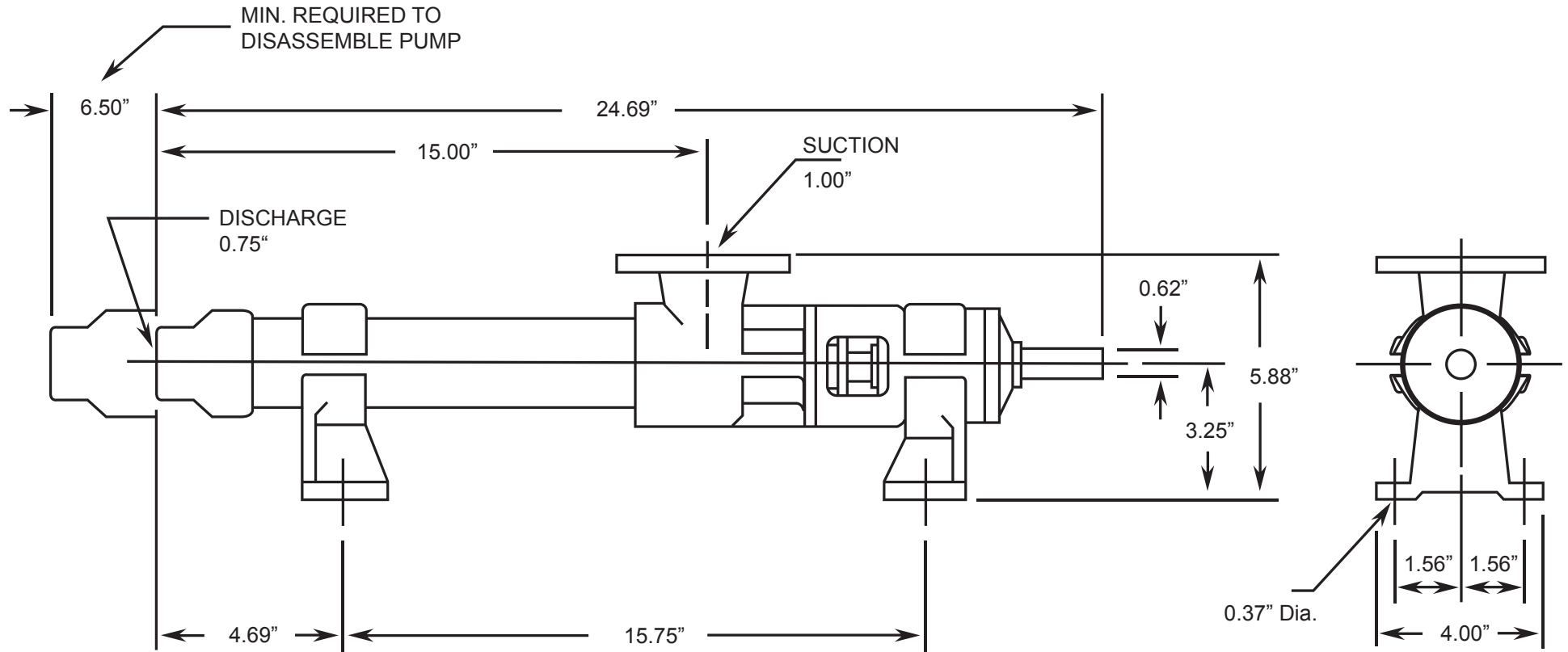
www.libertyprocess.com



ML SERIES - 6ML1

Progressive Cavity Pump

Dimensional Drawings



Net weight

≈ lbs.

30

ALL DIMN: Inches

6 Stage Pump

P: 847.640.7867 F: 847.640.7855
2525 Clearbrook Drive Arlington Heights, IL 60005

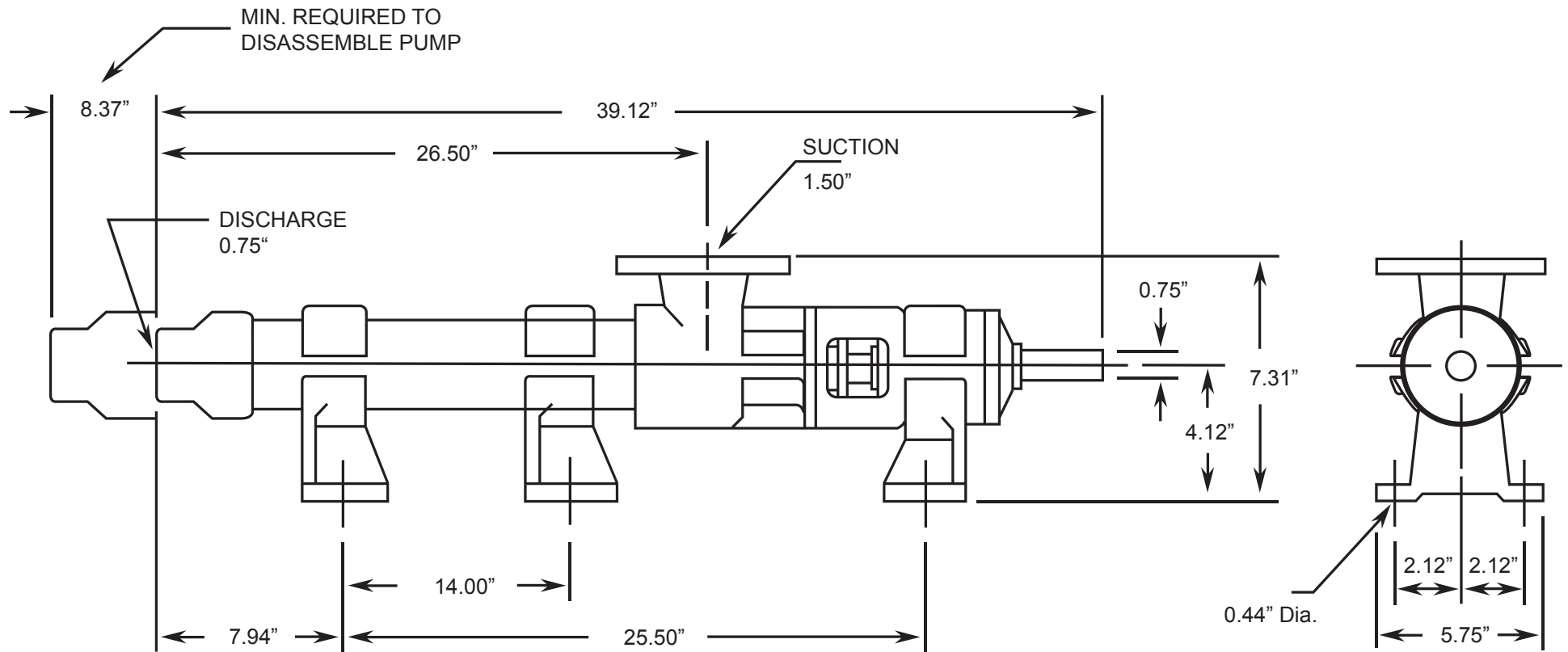
www.libertyprocess.com



ML SERIES - 6ML2

Progressive Cavity Pump

Dimensional Drawings



Net weight

≈ lbs.

55

ALL DIMN: Inches

6 Stage Pump

P: 847.640.7867 F: 847.640.7855
2525 Clearbrook Drive Arlington Heights, IL 60005

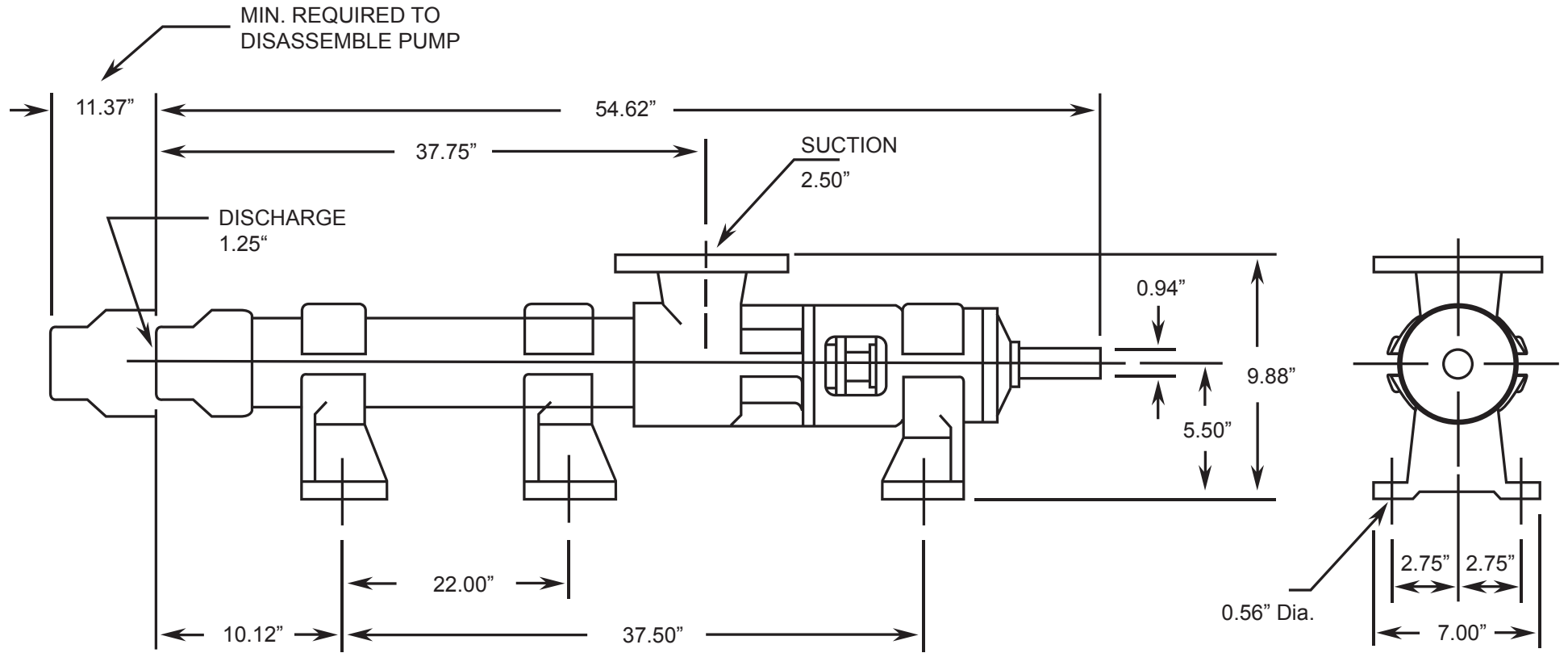
www.libertyprocess.com



ML SERIES - 6ML3

Progressive Cavity Pump

Dimensional Drawings



Net weight

≈ lbs.

105

ALL DIMN: Inches

6 Stage Pump

P: 847.640.7867 F: 847.640.7855
2525 Clearbrook Drive Arlington Heights, IL 60005

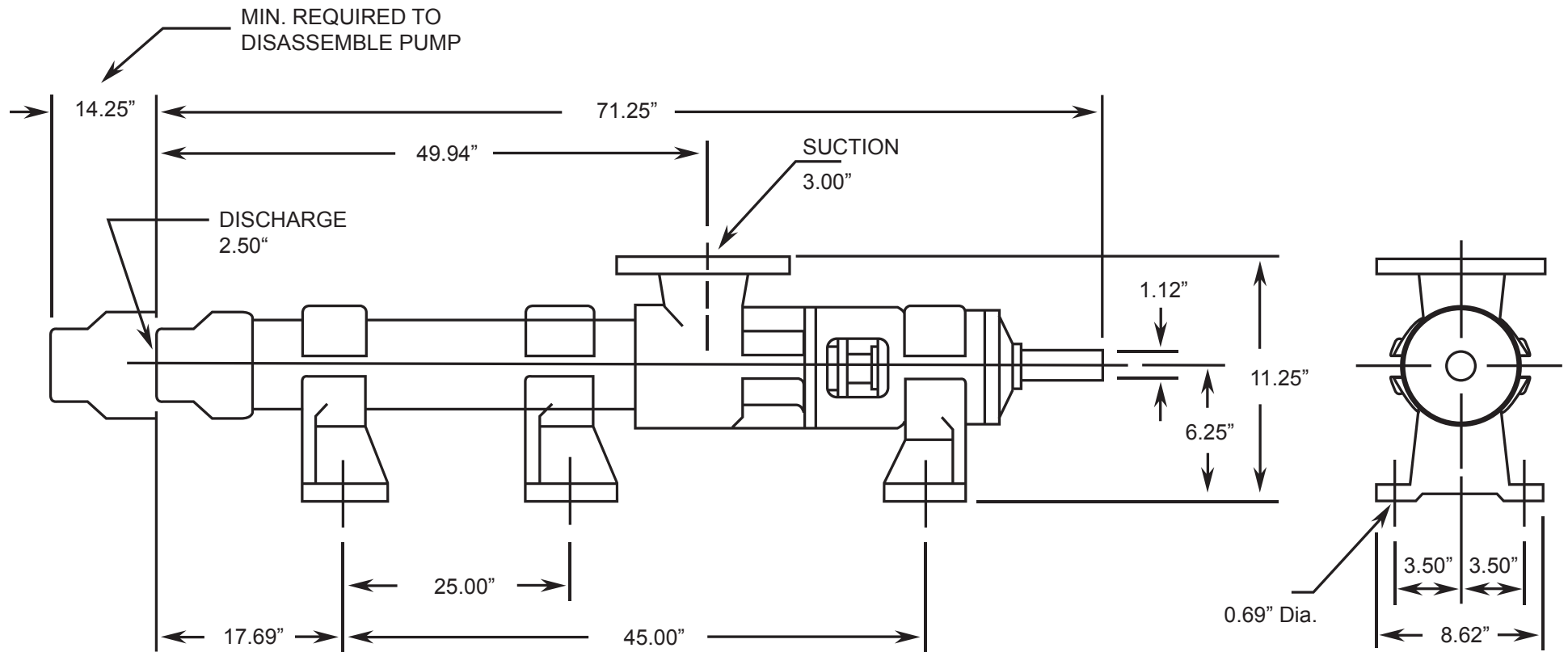
www.libertyprocess.com



ML SERIES - 6ML4

Progressive Cavity Pump

Dimensional Drawings



Net weight

≈ lbs.

171

ALL DIMN: Inches

6 Stage Pump

P: 847.640.7867 F: 847.640.7855
2525 Clearbrook Drive Arlington Heights, IL 60005

www.libertyprocess.com