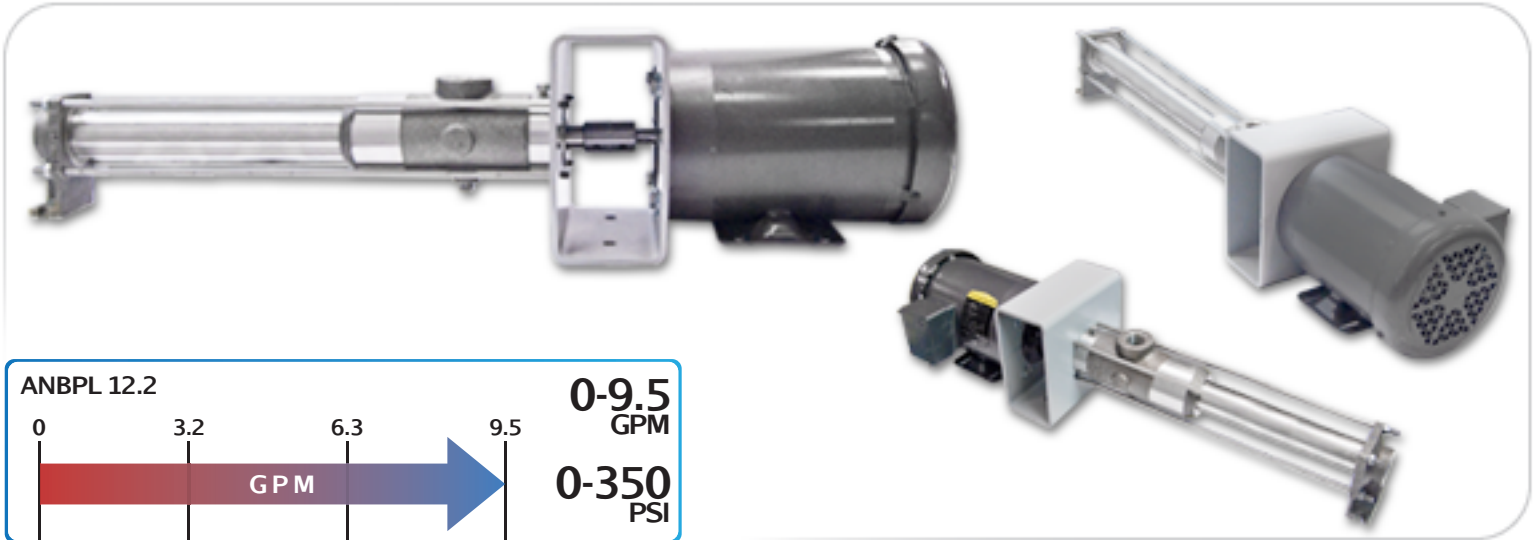


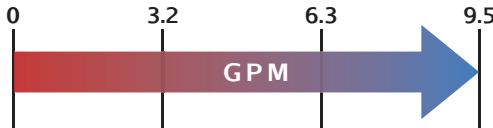


# ANBPL SERIES - 12.2

Progressive Cavity Pump for Metering & Dosing



ANBPL 12.2



0-9.5  
GPM

0-350  
PSI

## Features

- Rugged Design
- 1" NPTF
- Non-Pulsating Flow
- 316 Stainless Steel Optional
- PTFE Stators Available
- Corrosion Resistant

## Materials

**Rotor:** Chrome Plated 316 Stainless Steel

**Stator:** Buna, PTFE, Viton™

**Motor:** 2, 3, and 5 hp

**Inlet:** 1" NPT

**Outlet:** 1" NPT

**Bases:** Steel and Stainless Steel

## Pump Description

The ANBPL 12.2 Series is a rugged series of medium sized progressive cavity metering pumps available immediately from our inventory at Liberty Process Equipment. This pump is an ideal addition to the sewage treatment industry for polymer feed systems. This pump is rated up to 9.5 GPM and at discharge pressures up to 350 psi in our 4 range design. All Pumps are offered in cast iron or standard 316 Stainless Steel.

All Pumps are offered with our standard 1" NPTF connections or optional 1" 150# RF Flanges. Stators are available in Buna Nitrile, Viton and also in PTFE Teflon for the highest standards in corrosion resistance. The Close-Coupled ANBPL is a great alternative where space is a concern, offered in designs to accommodate 56C and 145TC Frame Motors. Liberty Process can offer a drive and control option to meet your needs and budget.

From a simple, fixed speed motor to a DC or variable frequency drive controlled pump unit we can offer it. Liberty Process can offer a drive and control option to meet your needs and budget. From a simple, fixed speed motor to a DC or variable frequency drive controlled pump unit we can offer it.

## Curves

[Click Links Below](#)

3-Stage  
**ANBPL**  
**12.2**

## Drawings

[Click Links Below](#)

3-Stage  
**ANBPL**  
**12.2**

P: 847.640.7867 F: 847.640.7855  
2525 Clearbrook Drive Arlington Heights, IL 60005

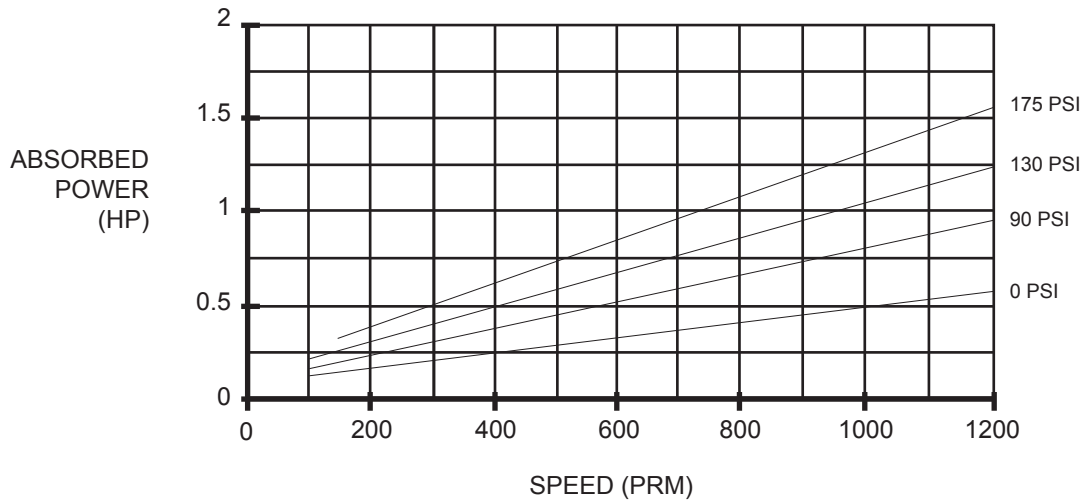
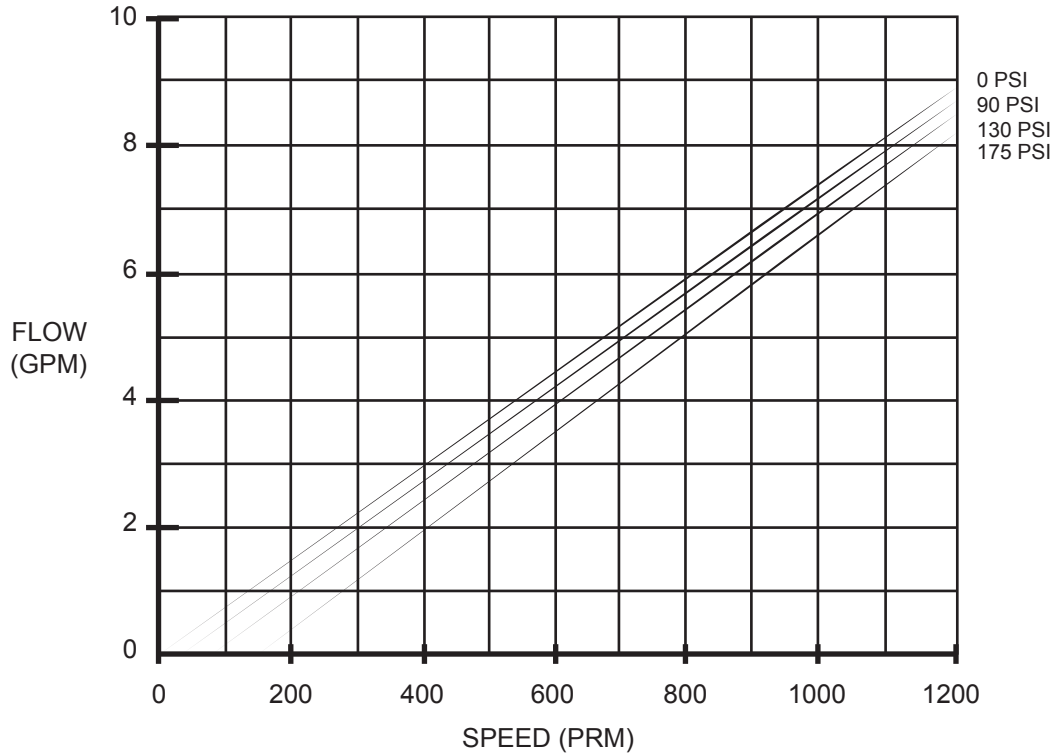
[www.libertyprocess.com](http://www.libertyprocess.com)



# ANBPL SERIES - 12.2

Progressive Cavity Pump

Performance Curves



Size: 12  
Stage(s): 2  
Starting Torque = 12.5 to 18.4 ft. lb  
Max Pres. = 175 PSI  
RPM = 0 - 1200

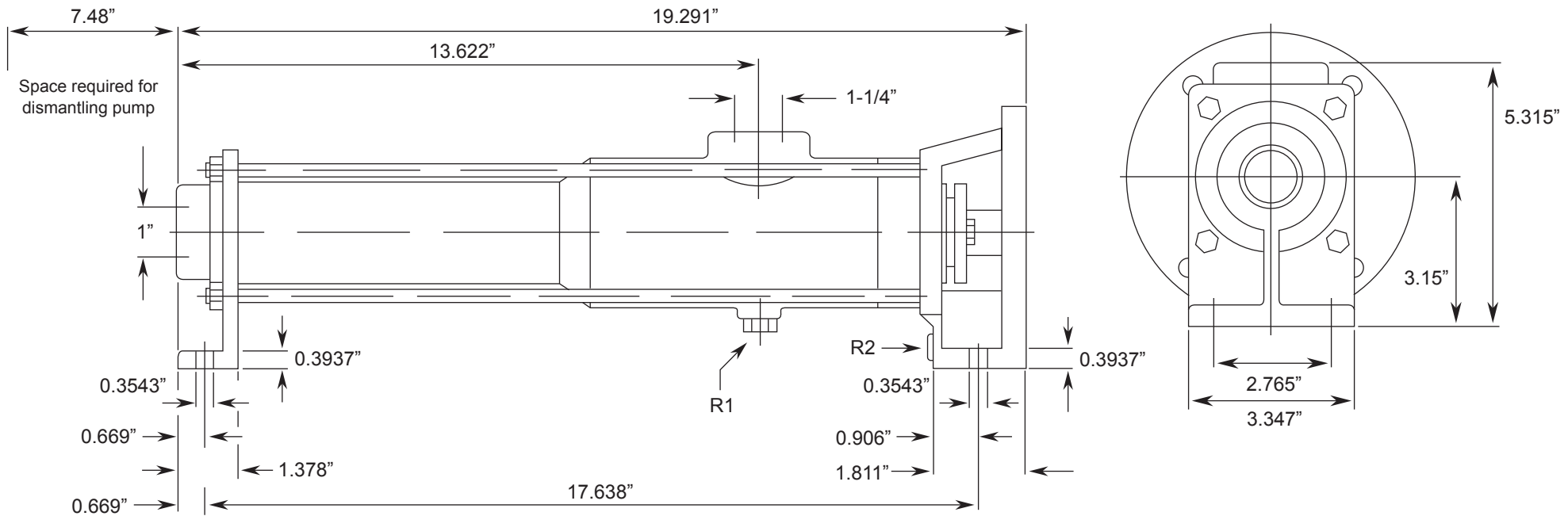
[BACK TO TOP](#)



# ANBPL SERIES - ANBPL 12.2

Progressive Cavity Pump

Dimensional Drawings



[BACK TO TOP](#)

## 2 Stage Pump

Direction of rotation: Counterclockwise looking from the drive end is standard, in which case DN1 = delivery connection, DN2 = suction connection. Opposite direction of rotation is possible in which case DN1 = suction connection, DN2 = delivery connection.

Net weight

≈ lbs.

**11.6**

ALL DIMN: Inches

P: 847.640.7867 F: 847.640.7855  
2525 Clearbrook Drive Arlington Heights, IL 60005

[www.libertyprocess.com](http://www.libertyprocess.com)