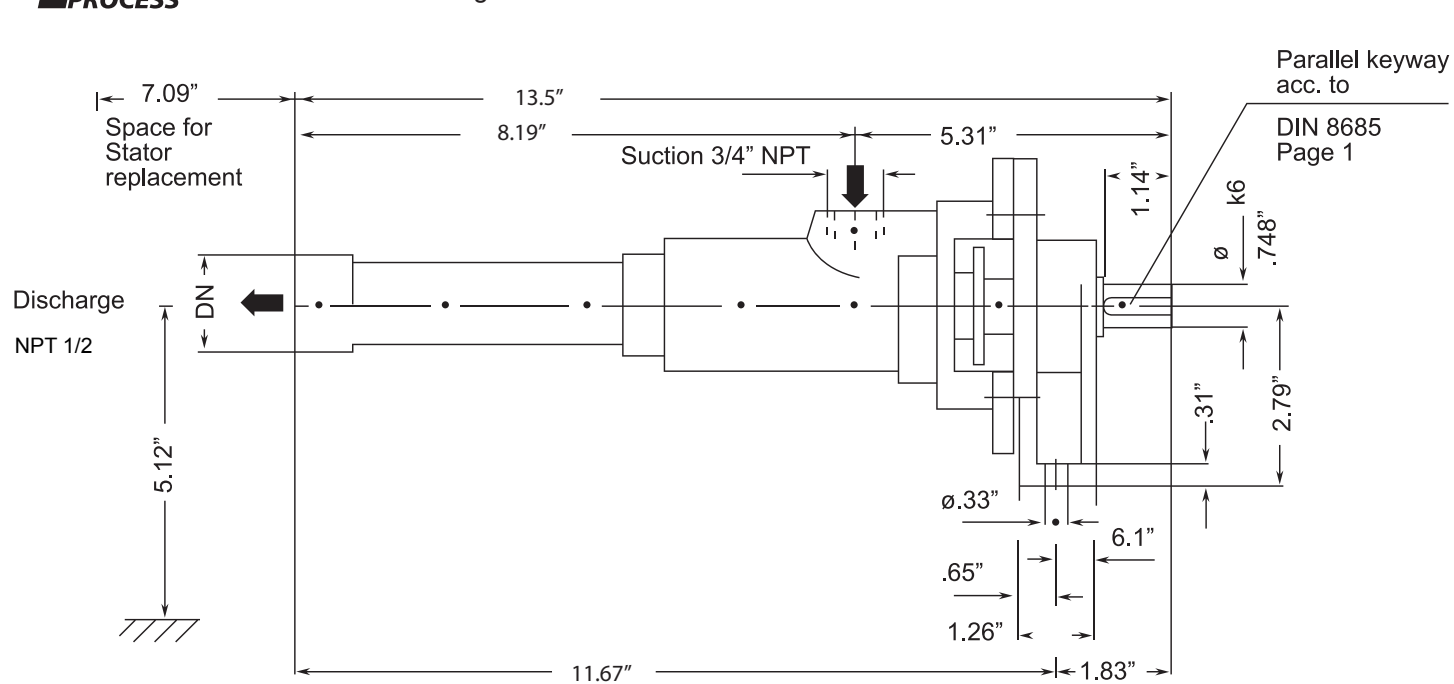




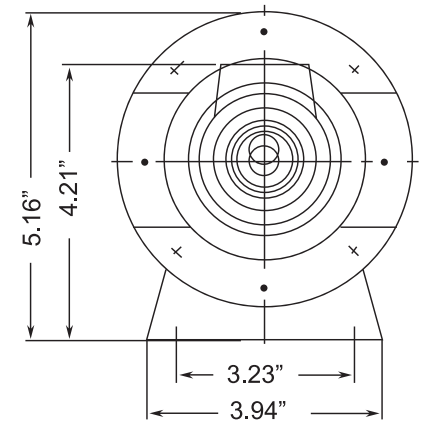
# ADPL SERIES - ADPL 0.40.3

Progressive Cavity Pump

Dimensional Drawings

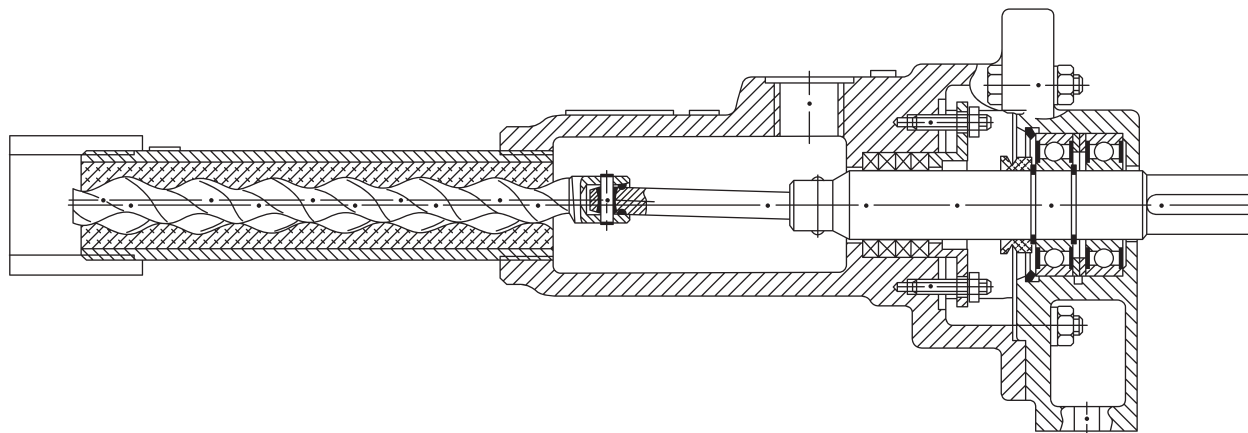
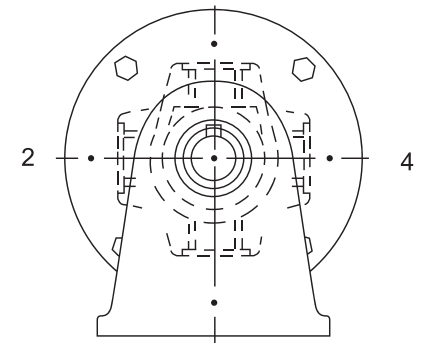


Parallel keyway  
acc. to  
DIN 8685  
Page 1



Possible port positions  
looking from drive end

1 = Standard



Net weight

≈ lbs.

Inches

**7.3**

**3 Stage Pump**

P: 847.640.7867 F: 847.640.7855  
2525 Clearbrook Drive Arlington Heights, IL 60005

[www.libertyprocess.com](http://www.libertyprocess.com)