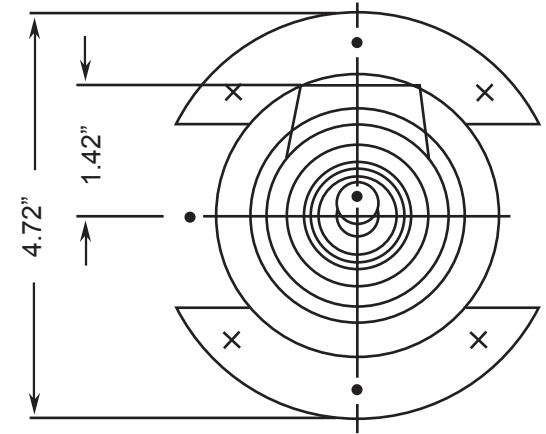
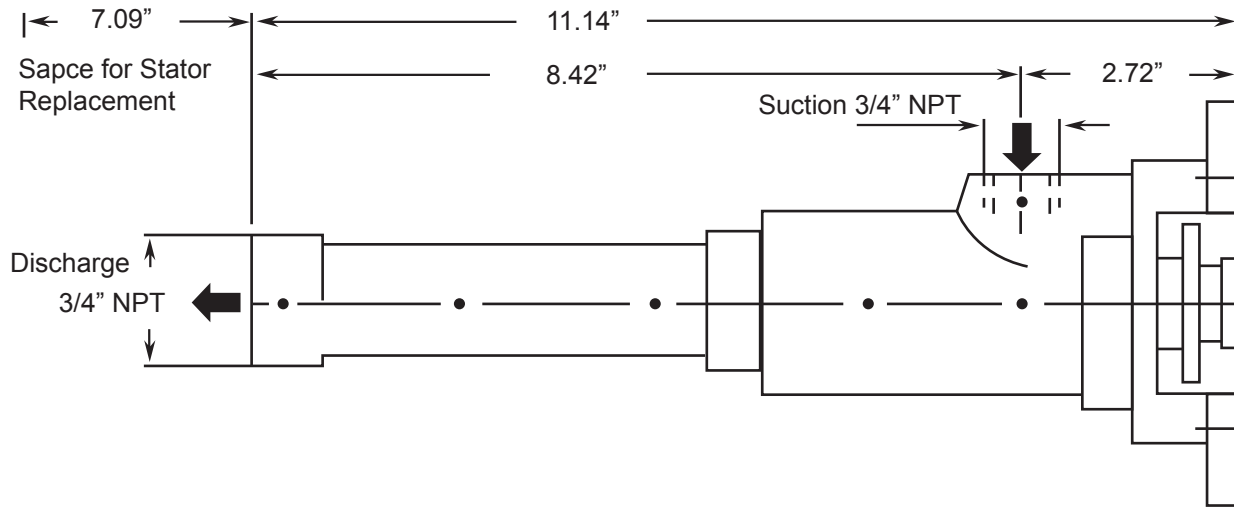




# ADBPL SERIES - ADBPL 0.80.3

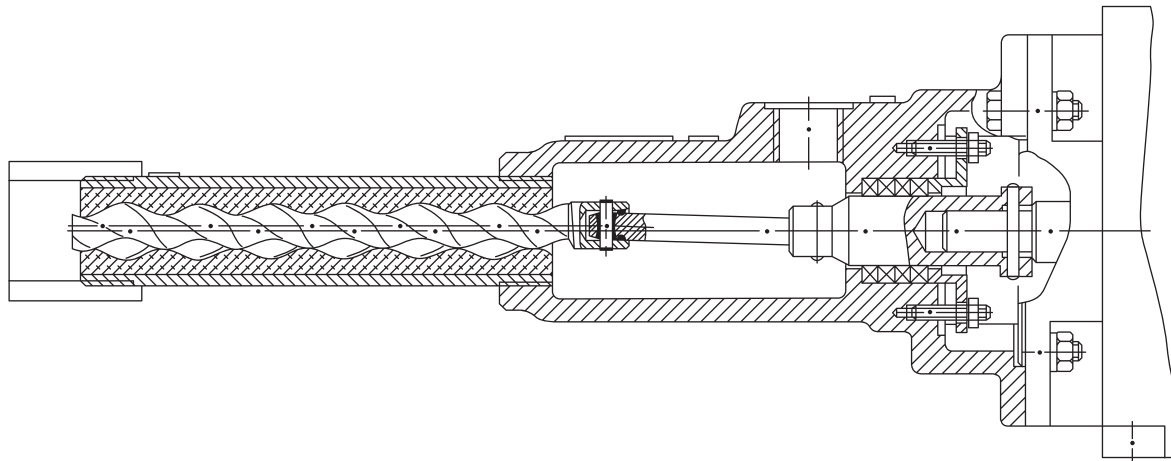
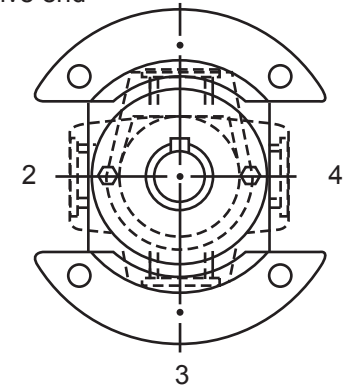
Progressive Cavity Pump

Dimensional Drawings



Possible port positions looking from drive end

1 = standard



Net weight

≈ lbs.

Inches

**6.2**

**3 Stage Pump**

P: 847.640.7867 F: 847.640.7855  
2525 Clearbrook Drive Arlington Heights, IL 60005

[www.libertyprocess.com](http://www.libertyprocess.com)